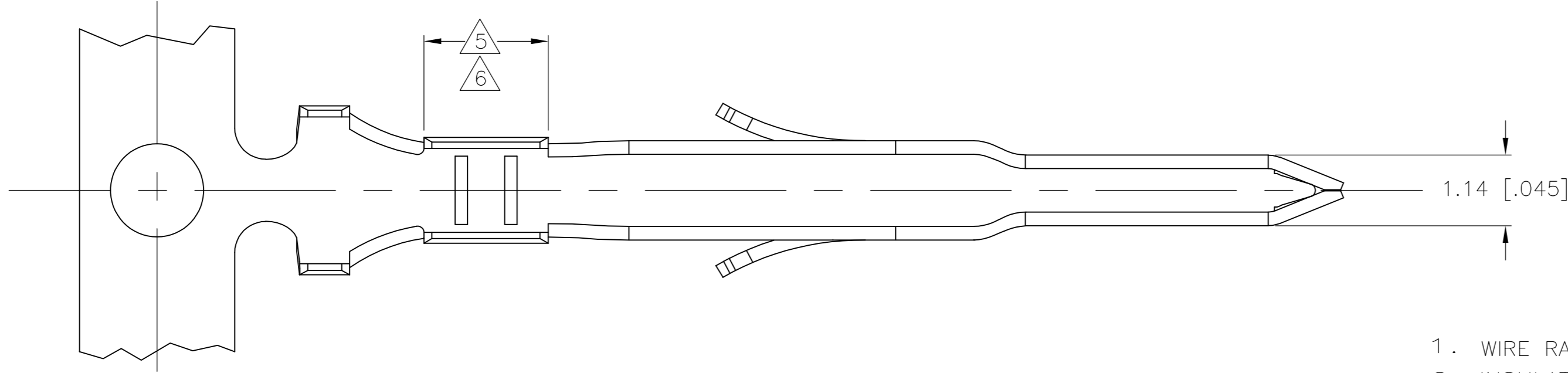
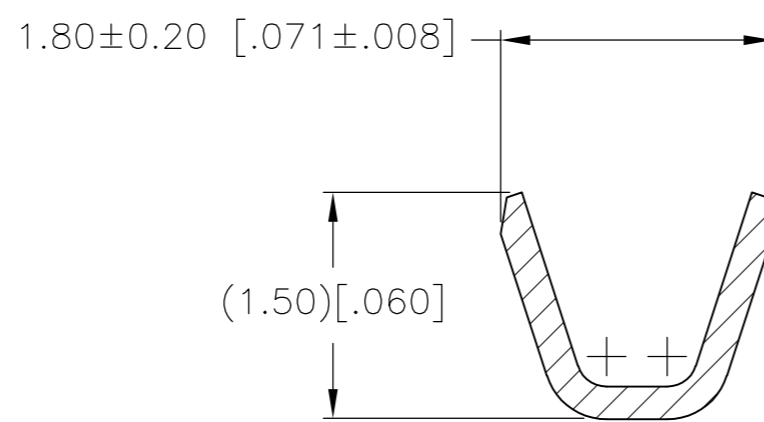
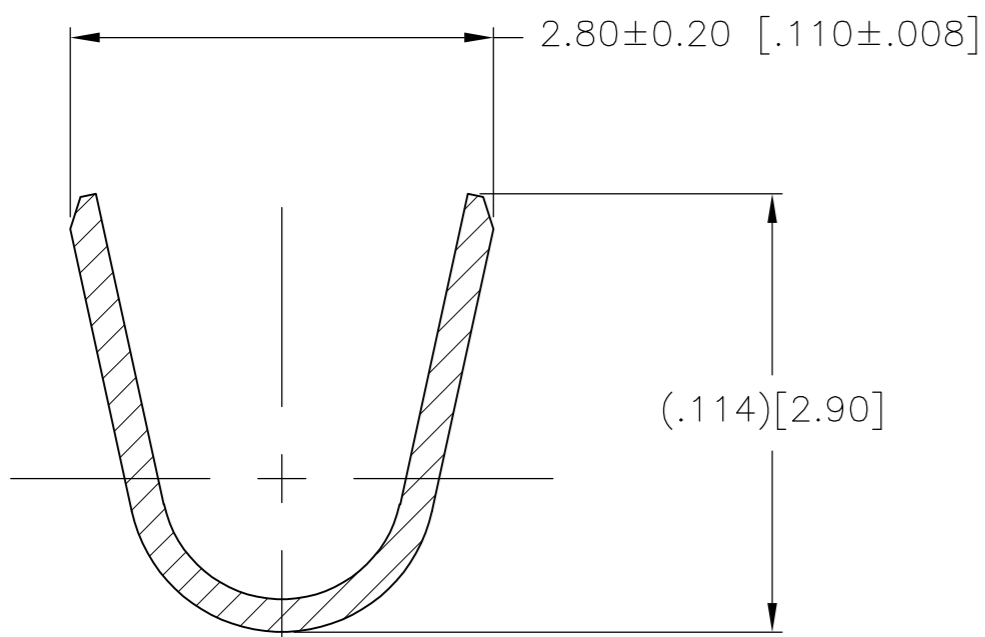
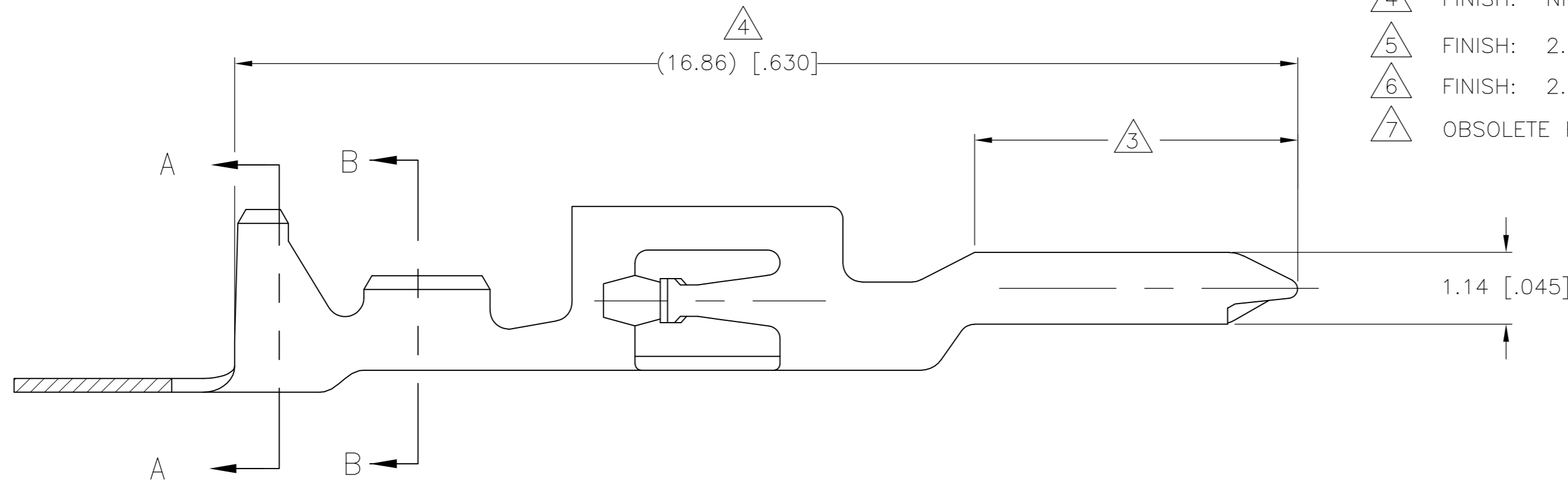


THIS DRAWING IS UNPUBLISHED. RELEASED FOR PUBLICATION
 © COPYRIGHT BY TYCO ELECTRONICS CORPORATION. ALL RIGHTS RESERVED.

LOC		DIST		REVISIONS			
P	LTR	DESCRIPTION	DATE	DWN	APVD		
	E	REVISED PER 0G3B-1115-04	24JUNE05	KW	DC		
	E1	REVISED PER ECO-09-023313	09OCT09	KK	AEG		



1. WIRE RANGE: 0.12-0.35mm² (26-22 AWG).
2. INSULATION RANGE: 1.20-1.75 DIA.
- 3 FINISH: 0.76μm MINIMUM GOLD OVER 1.27μm MINIMUM NICKEL REQUIRED
- 4 FINISH: NICKEL BASE PLATE ON ALL SURFACES IN THIS AREA.
- 5 FINISH: 2.54μm MINIMUM TIN-LEAD ON ALL SURFACES IN THIS AREA.
- 6 FINISH: 2.54μm MINIMUM TIN ON ALL SURFACES IN THIS AREA.
- 7 OBSOLETE PARTS: OBSOLETE CIS STREAMLINING PER D.RENAUD/D.SINISI



FINISH	MATERIAL	PART NUMBER
3 4 6	0.22 [.009] PHOS BRONZE	794578-4
3 4 5	0.22 [.009] PHOS BRONZE	794578-2
PRE-TIN	0.22 [.009] PHOS BRONZE	794578-1

SECTION A-A
SCALE 20:1

SECTION B-B
SCALE 20:1

METRIC

THIS DRAWING IS A CONTROLLED DOCUMENT.		DWN S. HAMM 18-FEB-2002	Tyco Electronics Corporation Harrisburg, Pa 17105-3608	
DIMENSIONS: mm [INCHES]		CHK D. COLEY 18-FEB-2002	NAME CONTACT, MALE, AMP-DUAC(TM) POWER CONNECTOR	
TOLERANCES UNLESS OTHERWISE SPECIFIED: 0 PLC ± 1 PLC ± 2 PLC ± 0.10 [.004] 3 PLC ± 4 PLC ± ANGLES ±		APVD D. COLEY 18-FEB-2002	PRODUCT SPEC 108-1646	
MATERIAL 0.22 [.009]PH BRZ		FINISH SEE TABLE	APPLICATION SPEC 114-6067	WEIGHT
CUSTOMER DRAWING		SCALE 14:1	SHEET 1 OF 1	REV E1